



**iD 105.65 M**  
Electric Modular Oven for Pizza



### EXTERNAL CONSTRUCTION

- Front structure in shaped stainless steel
- Oven panels made pre-painted metal sheets
- Door in stainless steel with shutter with hinge at bottom with balancing spring
- Door handle in stainless steel
- Tempered crystal glass
- Jutting control panel on the right front side
- Vapour outlet in stainless steel

### INTERNAL CONSTRUCTION

- Baking surface in refractory brick
- Upper and lateral structure in aluminized sheet
- Thermal insulation in mineral wool

### FUNCTIONING

- Heating by armoured heating elements
- Electronic temperature management with independent adjustment of ceiling and floor
- Maximum temperature reached 450°C
- Continuous temperature monitoring with 2 thermocouple

### STANDARD EQUIPMENT

- Illumination by incandescent light
- Independent maximum temperature safety device

### OPTIONAL AND ACCESSORIES (WITH SURCHARGE)

- Prover on wheels, height 1000 mm
- Support without trayholder slides, height 600 mm
- Support without trayholder slides, height 900 mm
- 4 wheels kit
- Additional trayholder slides
- Hood



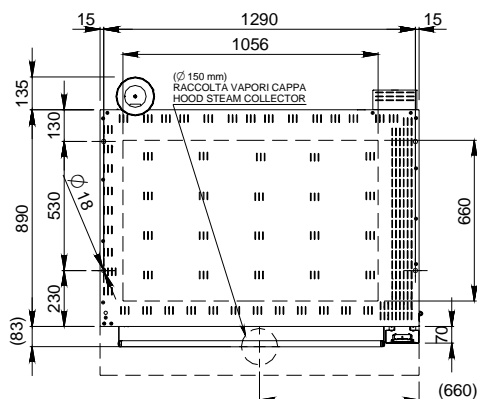
**MORETTI FORNI S.P.A.**  
www.morettiforni.com  
e-mail: marketing@morettiforni.com  
Via A.Meucci, 4 - 61037 Mondolfo (PU) ITALIA  
Tel. +39.0721.96161 - Fax +39.0721.9616299



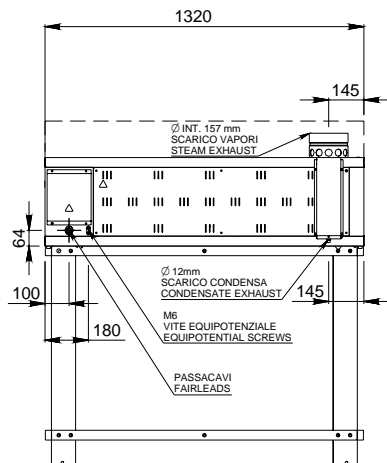
## iD 105.65 M

(assembled with support height 900 mm)

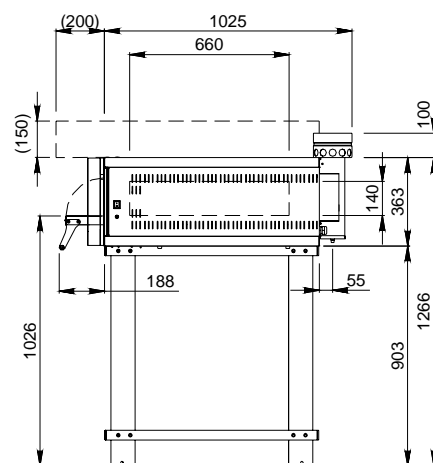
UPPER VIEW



REAR VIEW



RIGHT SIDE VIEW



**Note:** The dimensions in the views are in millimetres.

### SPECIFICATIONS

The appliance is constituted by one baking deck and eventually by prover or support. The baking surface is in refractory material that allow a perfect distribution of heat on the whole surface making able the oven especially for the pizza baking directly on the ground or in trays. The temperature adjustment is electromechanic, the control of the heating elements of the ceiling and the ground are independent. The door has shutter with hinge at bottom with balancing spring and tempered crystal glass to control the baking point of the product. The support is in painted metal structure, the prover is in stainless steel equipe by a thermostat for heating. The temperature of the prover reach maximum 65°C and the baking deck reach maximum 450°C.

All the data here under are referred to one baking deck composition

### DIMENSIONS

External height	463 mm
External depth	1095 mm
External width	1320 mm
Weight	123 Kg
Total baking surface	0,7 m <sup>2</sup>

Packed oven sizes:

Maximum height	550 mm
Maximum depth	1110 mm
Maximum wight	1500 mm
Weight	(123+21) Kg

Standard power supply

A.C. V 400 3N

Optional power supply

A.C. V230 3

Frequency 50/60 Hz

Maximum power 8,2 Kw

\*Average power consum. 4,1 Kw/h

Connection cable

type FG7R

5x4 mm<sup>2</sup> (V400 3N)

4x6 mm<sup>2</sup> (V230 3)

### TOTAL BAKING CAPACITY

Pizzas diam	300 mm	6
Pizzas diam	450 mm	2
Trays	(600x450) mm	2

Power supply (optional prover)

A.C. V 230 1 N Hz

Maximum power 1,5 Kw

\*Average power consum. 0,8 Kw/h

### POWER SUPPLY AND POWER

### SHIPPING INFORMATIONS

\*This value is subject to variation according to the way in which the equipment is used

-NOTE: Moretti Forni Spa reserves the right to modify the characteristics of the products illustrated in this publication without prior notice