



## AMALFI "A"

Modular electric oven for pizza

COMPOSITION WITH 1 BAKING CHAMBER



### EXTERNAL CONSTRUCTION

- Structure in shaped stainless steel plate
- Side panels in pre-painted sheet metal
- Stainless steel hood with aluminised steel top cover
- Front vapour collection hood in enameled steel sheet
- Steam duct in stainless steel plate
- Stainless steel door with bottom hinge and spring balance
- Tempered glass element
- Handles in thermoplastic material
- Control panel on front right hand side

### INTERNAL CONSTRUCTION

- Refractory brick cooking surface
- Refractory brick top and side structure
- Rock wool heat insulation

### OPERATION

- Heating by means of spiral heating elements
- Electronic temperature management with independent adjustment of ceiling and floor
- Maximum temperature reached 450°C
- Continuous temperature monitoring with thermocouple
- Vapour ducting using manual butterfly valve

### STANDARD EQUIPMENT

- Lighting with incandescent lamp
- Timer
- Economiser
- Independent maximum temperature safety device
- 20 customisable programs

### OPTIONS AND ACCESSORIES

(WITH SURCHARGE)

- Leavening compartment with wheels, height 800 mm
- Support with wheels, height 600 mm
- Support with wheels, height 800 mm
- Support with wheels, height 950 mm
- Additional tray holder guides for compartment and support
- Spacer element height 300 mm
- Suction hood

(WITHOUT SURCHARGE)

- Front vapour collection hood in stainless steel sheet



**MORETTI FORNI S.P.A.**

www.morettiforni.com

e-mail: marketing@morettiforni.com

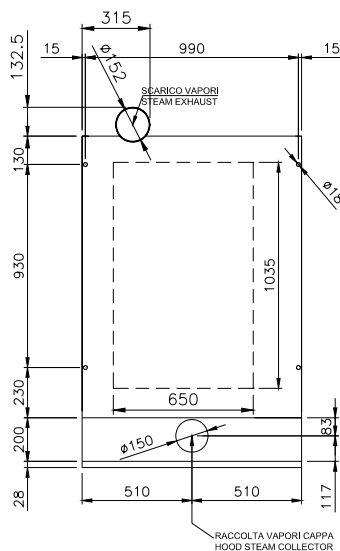
Via A.Meucci, 4 - 61037 Mondolfo (PU) ITALIA

Tel. +39.0721.96161 - Fax +39.0721.9616299

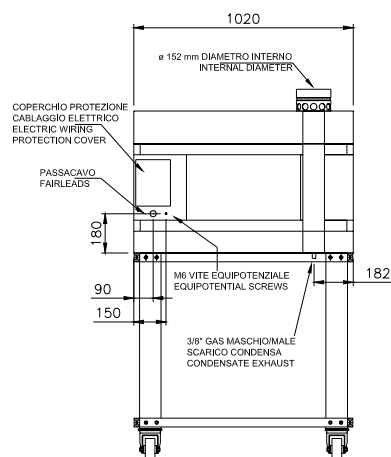
## AMALFI "A" 1 CHAMBER

(assembled with support height 950 mm)

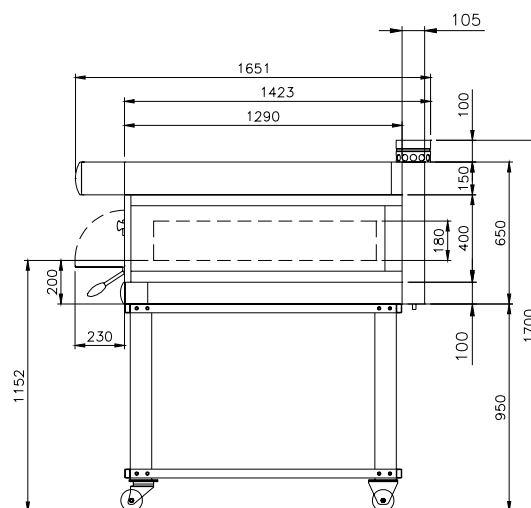
TOP VIEW



REAR VIEW



VIEW FROM RIGHT



**Note:** The dimensions indicated in the views are in millimetres.

### SPECIFICATIONS

The appliance comprises one cooking element and an optional leavening compartment or support. The oven cooking surface is made of refractory material that provides perfectly even heat distribution over the whole surface, making this oven particular suitable to cook pizza, either directly on the surface or in trays. Temperature adjustment is electronic, with independent control of the ceiling and floor heating elements. The oven door is hinged at the bottom, with a tempered glass window to check the state of the product while it is cooking. The support comprises a painted metal structure, whereas the leavening compartment has a stainless steel structure and is fitted with a heating thermostat. The leavening compartment can reach a maximum temperature of 65°C, whereas the maximum temperature of the baking chamber is 450°C

All the data provided below refer to the configuration with 1 baking chamber

### DIMENSIONS

External height	750 mm
External depth	1651 mm
External width	1020 mm
Weight (excluding support)	245 kg
Total baking surface	0.7 m <sup>2</sup>

### TOTAL BAKING CAPACITY

Pizza diameter 300 mm	6
Pizza diameter 450 mm	2
Tray (600x400) mm	2

### SHIPPING INFORMATION

Packed in wooden crate	
Height	900 mm
Depth	1851 mm
Width	1220 mm
Weight	(245+10) kg

When combined with leavening compartment or support:	
Max height	1850 mm
Max weight	(340+10) kg

### FEEDING AND POWER

<i>Standard feeding</i>	
A.C. V	400 3N
<i>Feeding on request</i>	
A.C. V	230 3
Frequency	50/60 Hz
Max power	7.1 kW
*Medium consum/hour	3.6 kWh
Connecting cable	
	tipo H07RN-F
	5x4 mm <sup>2</sup> (V400)
	4x6 mm <sup>2</sup> (V230 3)
Prover feeding	
A.C.V	230 1 N 50/60 Hz
Max power	1.5 kW
*Medium consum/hour	0.8 kWh

\*This value is subject to variation according to the way in which the equipment is used

- NOTE: Moretti Forni Spa reserves the right to modify the characteristics of the products illustrated in this publication without prior notice