

P110 GAS HI-TECH "B"

Modular gas oven for pizza

COMPOSITION WITH 2 BAKING
CHAMBERS



OPTIONS AND ACCESSORIES (WITH SURCHARGE)

- Leavening compartment with wheels, height 800 mm
- Stand with wheels, height 800 mm
- Stand with wheels, height 950 mm
- Additional tray holder guides for compartment and stand
- Spacer element height 300 mm
- Fume venting activator

EXTERNAL CONSTRUCTION

- Structure in shaped stainless steel plate
- Side panels in pre-painted sheet metal
- Stainless steel hood with aluminised steel top cover
- Front vapour collection hood in Ipergres
- Aluminised steel steam duct
- Stainless steel door with bottom hinge and spring balance
- Tempered glass element
- Control panel on front right hand side

INTERNAL CONSTRUCTION

- Two-layer refractory brick cooking surface
- Top and side structure in aluminised steel
- Rock wool heat insulation

OPERATION

- Heating by paired 2 ramp burner
- Electronic temperature management
- Protected incandescent lighter
- Flame detector
- Maximum temperature reached 450°C
- Continuous temperature monitoring with thermocouple

STANDARD EQUIPMENT

- Lighting with incandescent lamp
- Independent maximum temperature safety device



MORETTI FORNI S.P.A.

www.morettiforni.com

e-mail: marketing@morettiforni.com

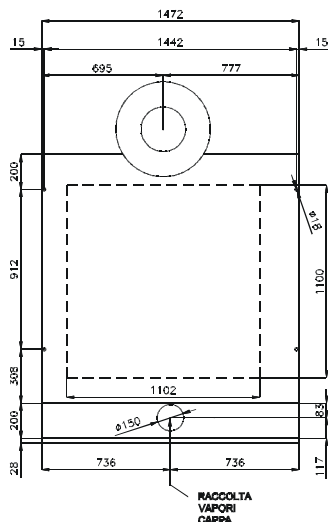
Via A.Meucci, 4 - 61037 Mondolfo (PU) ITALIA

Tel. +39.0721.96161 - Fax +39.0721.9616299

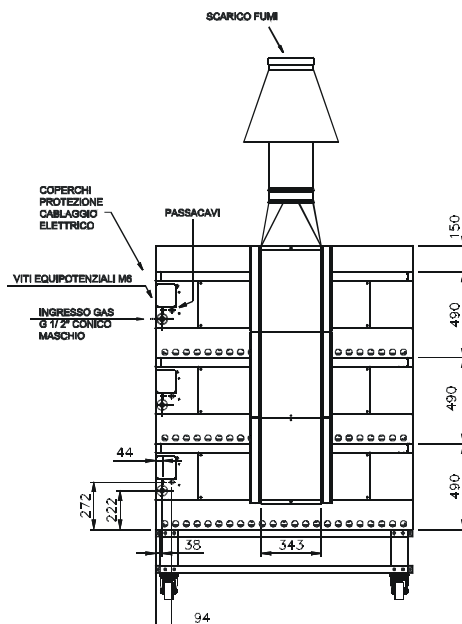
P110 GAS HI-TECH "B" 2 CHAMBERS

(assembled with stand height 800 mm)

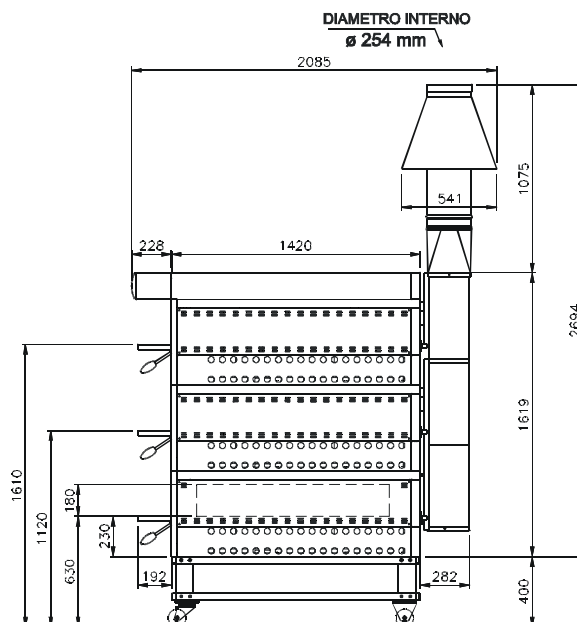
TOP VIEW



REAR VIEW



VIEW FROM RIGHT



Note: The dimensions indicated in the views are in millimetres.

SPECIFICATIONS

The appliance comprises two independent cooking elements and an optional leavening compartment or support. The oven cooking surface is made of refractory material that provides perfectly even heat distribution over the whole surface, making this oven particular suitable to cook pizza, either directly on the surface or in trays. Temperature adjustment is electronic. The oven door is hinged at the bottom, with a tempered glass window to check the state of the product while it is cooking. The stand comprises a painted metal structure, whereas the leavening compartment has a stainless steel structure and is fitted with a heating thermostat. The leavening compartment can reach a maximum temperature of 65° C, whereas the maximum temperature of the baking chamber is 450°C

All the data provided below refer to the configuration with 2 baking chambers

DIMENSIONS

External height	1936 mm
External depth	2009 mm
External width	1472 mm
Weight (excluding support)	570 Kg
Total baking surface	2,4 m ²

SHIPPING INFORMATION

Packed in wooden crate	
Height	1780 mm
Depth	2170 mm
Width	1670 mm
Weight	(570+10)Kg

POWER SUPPLY AND POWER

<i>Appliance type</i>	B11
<i>Gas power supply</i>	
METHANE or LPG	
*Consumption per hour	
Methane G20	216.8 ft≥/h
Methane G25	252.1 ft≥/h
LPG G30	10 lb/h
<i>Electric power supply</i>	
A.C. V230 1N	
Frequency	50/60 Hz
Thermal Capacity	197.936 Btu/hr
Connection cable for each deck	
type H07RN-F	
3x0.00375(2.5 mm ²) V230 1N	
Leavening compartment power supply	
A.C.V 230 1 N 50/60 Hz	
Max Power	1.5 Kw
*Average power consumption	0.8 Kw

TOTAL BAKING CAPACITY

Pizza diameter 280 mm	24
Pizza diameter 500 mm	8
Tray (600x450mm)	8

When combined with leavening compartment or stand:	
Max height	2999 mm
Max weight	(680+10)Kg

* This value is subject to variation according to the way in which the equipment is used

- 2 -NOTE: Moretti Forni Spa reserves the right to modify the characteristics of the products illustrated in this publication without prior notice